

SLIM HOOD

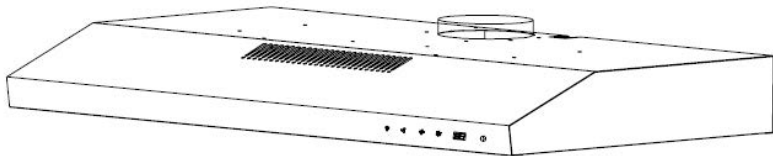
EFCH 9106 HM SS



THE BEAUTY OF SIMPLICITY



USER MANUAL



## **Table of Contents**

• From the Manufacturer	3
• Specifications	3
• SAFETY: Read this before installation	4
• Description of Parts	5
• Ducted vs. Re-circulating	6
• Setting	7
• Installation	8,9
• Operation	10
• Cleaning & Maintenance	10
• Troubleshooting	11

- **From the Manufacturer**

- This appliance and the packaging are produced by processes that minimize waste and respect the environment.
- Please help us to continue the protection of the environment by disposing the packaging in a correct way.
- **Safety!**
- Please do not allow young children to play with the plastic bag packaging.
- Before disposing of any old appliances, be sure to cut off the power cord so that others will not be endangered by a defective electric appliance.

## **Specifications**

Input: 220-240V/50Hz

### Power

2 motor version: 200W

LED Lamp: 2x1W

1 motor version: 100W

LED Lamp: 1x1W

### Dimensions

60cm version: 597x501x100mm

90cm version: 897x502x100mm

## **SAFETY: Read this before installation**

- Do not connect the appliance if there are obvious signs of transportation damage.
- Read this user manual thoroughly before attempting to use this appliance.
- Installation and repair should be attempted only by qualified technical personnel.
- It is dangerous to modify any part of this appliance.
- The manufacturer declines all responsibility in case of failure to adopt proper safety measures.
- Ensure the location in which this appliance is installed has good, permanent ventilation.
- The distance between the bench top to the lower part of the hood must not be less than 65cm or higher than 75cm.
- Check that the voltage in your area is correct before plugging in.
- The electrical connection of this appliance must be connected to earth.

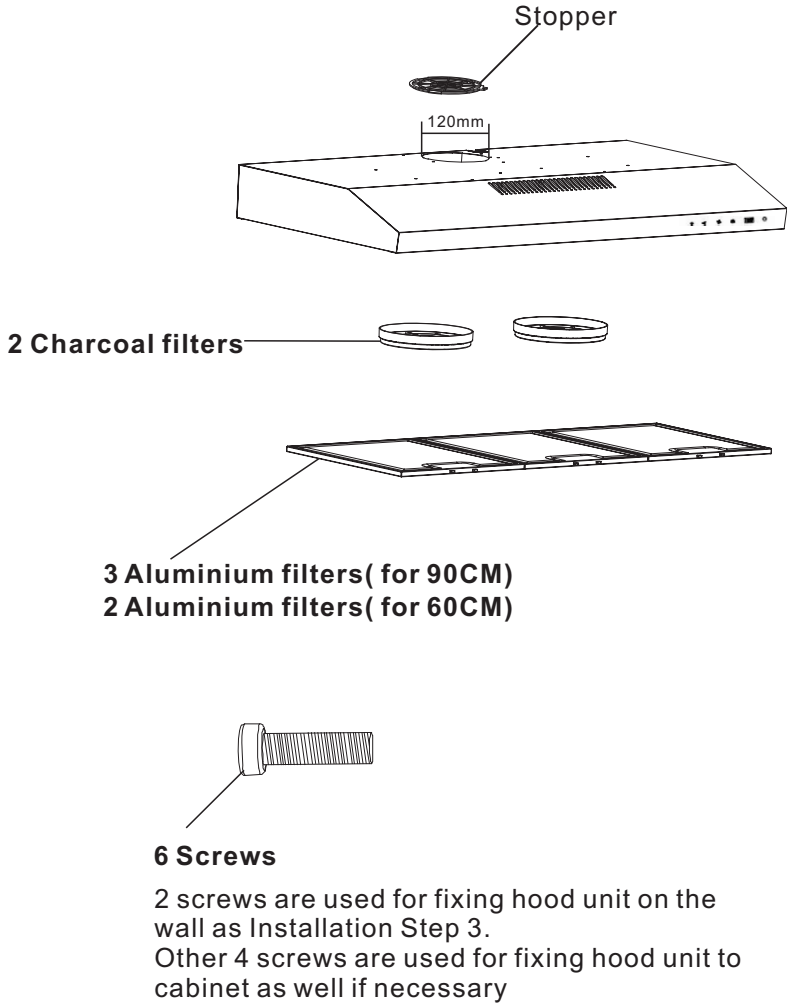
**Green & yellow      =      EARTH**

**Blue                      =      NEUTRAL**

**Brown                    =      LIVE**

- Multiple plugs and extension cables must not be used. Overload is dangerous and may cause a fire.
- Ensure that the power supply cord is free from any heat source or sharp objects.
- The appliance should be switched off and the electrical supply disconnected before any cleaning or maintenance work can be carried out.

## Description of Parts

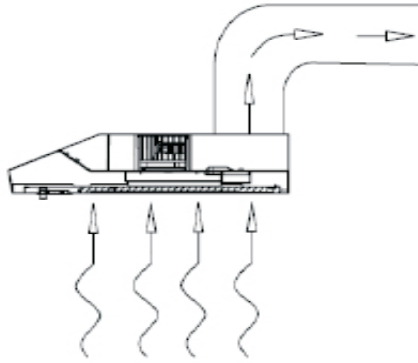


## **Ducted vs. Re-circulating**

Your cooker hood can be configured to operate in the ducted or re-circulating mode:

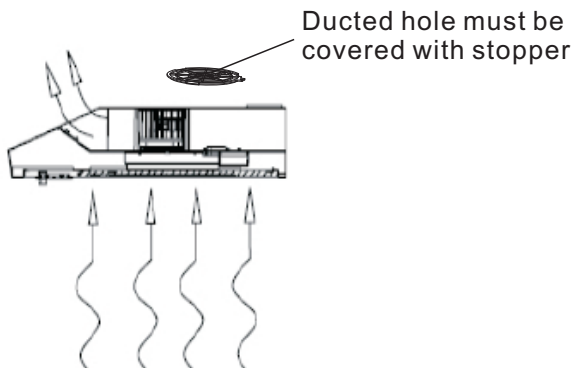
### **A. DUCTED MODE (VENTED MODE)**

In the ducted mode, cooking fumes are vented outdoors through suitable connection of 125mm diameter. In this mode, only the aluminium filters are installed.



### **B. RE-CIRCULATING MODE**

Fumes are filtered for grease and odour through the aluminium grease filters and the charcoal filters respectively and re-introduced into the kitchen environment. In re-circulating mode, both the aluminium grease filters and the charcoal filters must be installed.

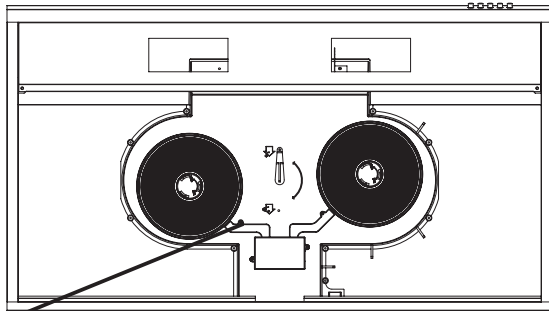


## Setting

The operating mode of your cooker hood must be set before installation

A. To set your hood to operate in the ducted mode

- remove the aluminium grease filters and locate the 2 setting screws
- Turn the screws clockwise until locked
- Install the outlet connector the back or top outlet and the stopper in the other.
- Remove the charcoal filters if installed



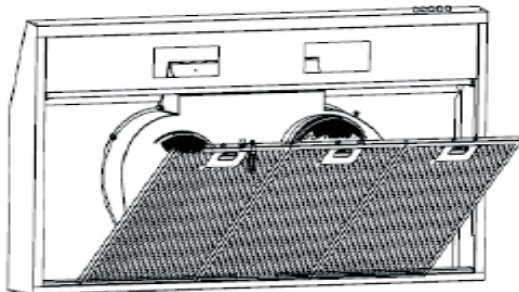
Setting

B. To set your hood to operate in the re-circulation mode

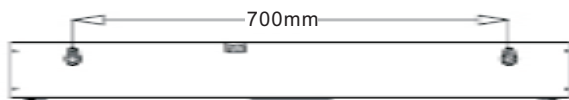
- remove the aluminium grease filters and locate the 2 setting screws
- Turn the screws anti-clockwise until released
- Install the stoppers at the top outlets
- Install the charcoal filters

## Installation

STEP 1: Remove the aluminium filters and place them in a safe location to avoid damage.



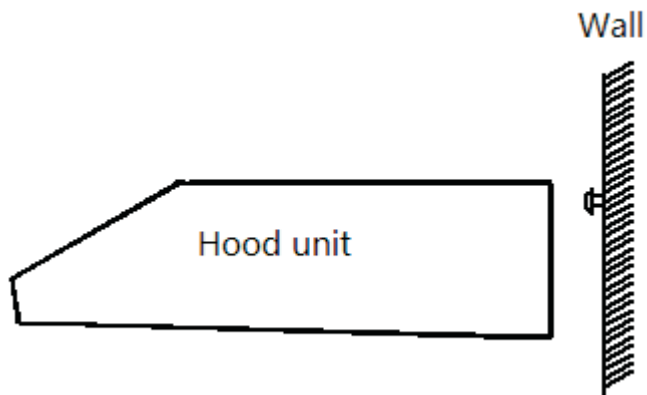
STEP 2: Install the 2 screws on the wall:



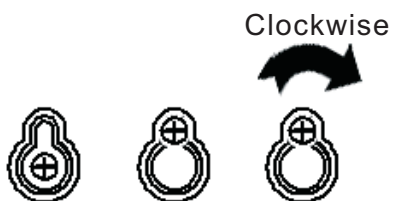


## Installation

STEP 3: Hang the hood



STEP 4: Tighten the 2 screws completely



STEP 5: Put back the aluminium filters

## Operation

The hood is equipped with 3 speed touch control.

Use the low speed for simmering, medium speed for light cooking. Use the high speed for frying or heavy cooking.

It is also equipped with LED lamp to illuminate your cooking area when needed.



Light



Low  
Speed



Medium  
Speed



High  
Speed



Timer  
Display



Delay Stop  
Timer

## Cleaning & Maintenance

**SURFACES:** Wash with warm soapy water and a soft sponge. Never use abrasive detergent, scouring pads, steel wool or solvents on any part of this appliance as this will cause irreparable damage.

**ALUMINIUM GREASE FILTERS:** Wash in the dishwashers or soak the panels in a degreasing agent for an hour, then rinse off.

**CHARCOAL FILTERS (only for re-circulating mode):** Charcoal filter cannot be reused. They must be replaced once a year or depending on the frequency of the appliance usage.

For this appliance to function effectively, regular maintenance is a must. Clogged filters restrict airflow and may cause the motor to overheat.

## **Troubleshooting**

<b>Symptoms</b>	<b>Possible Cause</b>	<b>Action</b>
Motor does not function	No electrical supply - Plug and main switch no connected - Damaged switch or short circuit	- Check that the plug is connected and the main switched is turned on. - Check if the switch is damaged or short circuit – replace or repair.
Poor airflow	- Distance between the cooking appliance and the hood is too high - Fan operation speed is too low - Charcoal filters clogged	- Adjust installation height - Replace motor or capacitor – contact technician - Replace charcoal filters
Motor running but No airflow	Air flow blade is jammed	Adjust air flow blade – contact technician
Motor shut off after a few minutes	- High temperature – safety device activated - The hood is installed too near to the cooking appliance	- The kitchen is not sufficiently ventilated - Adjust installation height – must be at least 65cm from cooking appliance
Strong Vibration	- Hood installed incorrectly - Fan installed incorrectly - Fan is damaged	- Reinstall the hood correctly - Reinstall the fan correctly - Replaced or repair
Strong cooking smell	Charcoal filters not installed	In re-circulating mode, charcoal filters must be installed
Oil dripping onto stove	Aluminum grease filter saturated	Wash the aluminum grease filters
Whirring sound	Foreign object in contact with fan blade	Contact technician

In the event of any uncertainties arise on appliance or if the appliance is not function properly, please stop using it and contact our Customer Service immediately.

For original parts&reliable service

CASA (S) PTE LTD.  
15 KIAN TECK CRESCENT SINGAPORE 628884  
TELEPHONE:+65 6268 0077  
FAX:+65 6898 0510  
EMAIL:[service@casa.com.sg](mailto:service@casa.com.sg)